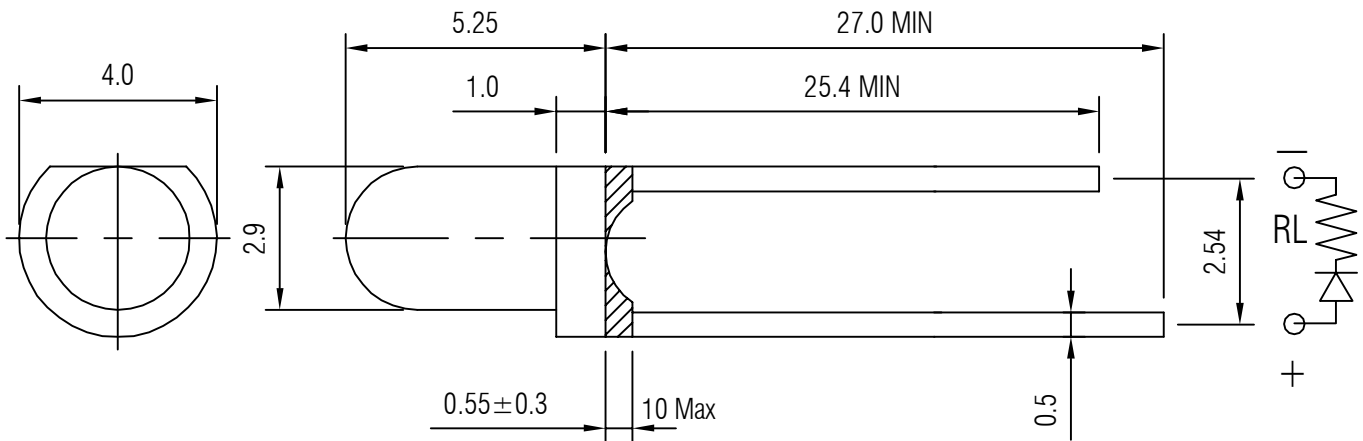


JOINSCAN LEDs

L308XD-DC6V 3 mm LED WITH INTERNAL RESISTOR FOR DC 6V

★Feature:

Dia 3mm LED LAMP With Internal Resister For Limited Low Power Dissipation And RoHS Compliant



Unit : mm

Tolerance : ± 0.2mm

Model No.	Emitting Color	Lens	Wavelength λP	Operating Voltage	Forward Current	Luminous Intensity	Reverse Voltage MAX	View Angle
L308ED-DC6V	Red Color	Red Diffusing	625nm	DC 6V	7mA	12mcd	5V	60°
L308OD-DC6V	Orange Color	Orange Diffusing	610nm	DC 6V	7mA	15mcd	5V	60°
L308YD-DC6V	Yellow Color	Yellow Diffusing	590nm	DC 6V	7mA	26mcd	5V	60°
L308GD-DC6V	Green Color	Yellow Green Diffusing	570nm	DC 6V	6mA	2mcd	5V	60°
L308SFD-DC6V	Blue Color	Blue Diffusing	470nm	DC 6V	8mA	10mcd	5V	60°
L3083D-DC6V	White Color	White Diffusing	White	DC 6V	7mA	132mcd	5V	60°
L308GP-DC6V	Pure Green Color	Green Diffusing	525nm	DC 6V	7mA	120mcd	5V	60°

Remark :

1. Solder Temperature 1.6mm Below Seating plane less 5 seconds at 260°C +5°C -30°C

2. Operating Temperature From -25°C to 85°C

3. RoHS Compliant

Approval Date :

2010/05/14 10:00:00